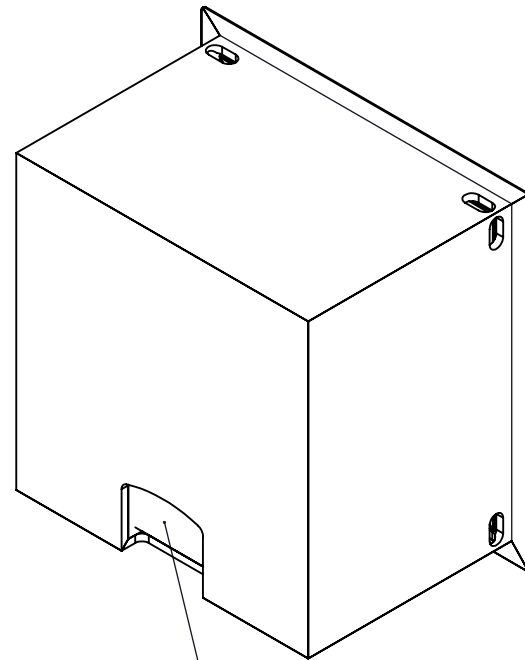
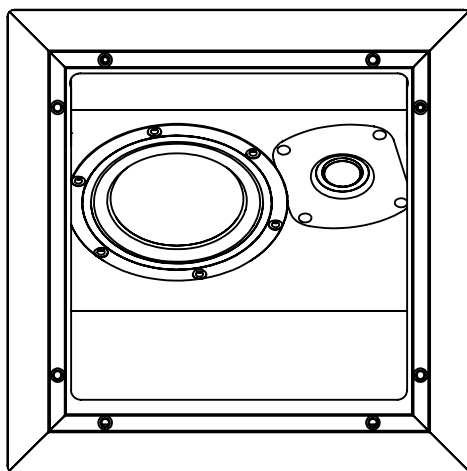


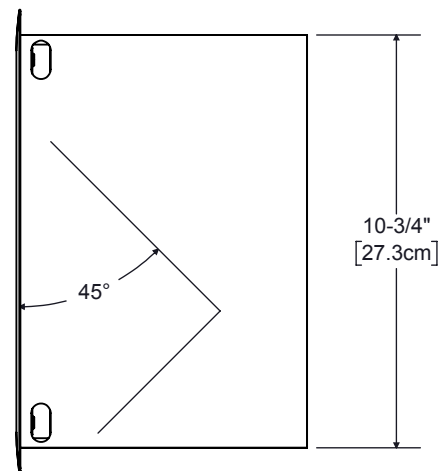
Top View



Binding Post Cup



Front View



Side View (Right)



TRIAD SPEAKERS, INC.
 15835 NE CAMERON BLVD
 PORTLAND, OR 97230
 TEL: 503.256.2600
 FAX: 503.256.5966
 1.800.666.6316

InCeiling Silver/8 OmniSE

PROPRIETARY AND CONFIDENTIAL: THE INFORMATION CONTAINED IN THIS DRAWING IS THE SOLE PROPERTY OF TRIAD SPEAKERS, INC. ANY REPRODUCTION IN PART OR AS A WHOLE WITHOUT THE WRITTEN PERMISSION OF TRIAD SPEAKERS, INC. IS STRICTLY PROHIBITED.

| FRAME SIZE S | | | |
|--------------------|-------------------|-------------------|-------------------|
| (OUTER DIMENSIONS) | | | |
| | NARROW | WIDE | FRAMELESS |
| W | 11.45in 29.1cm | 12.06in 30.6cm | 12.22in 31.0cm |
| H | 11.45in 29.1cm | 12.06in 30.6cm | 12.22in 31.0cm |